



High-frequency transformer

EDR2809 Series

Parameters/Dimensions:

EDR2809 Type 1

Information:

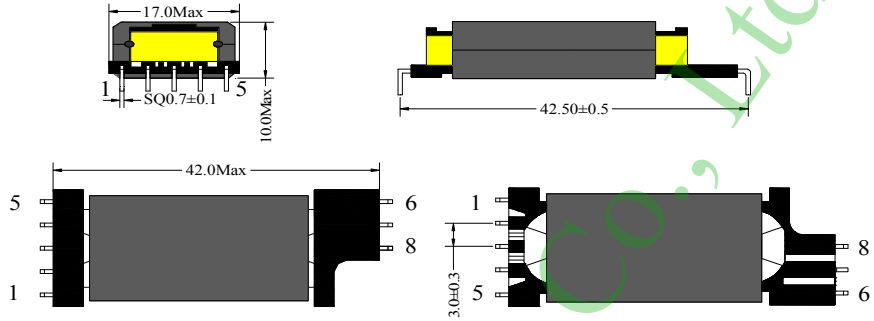
Shape:EDR2809

1 Power:22W

2 Mounting Orientation: Vertical

3 Size: 16 (W) *32(L) * 8.6 (H)

4 Effective Ae (mm²):79



EDR2809 Type 2

Information:

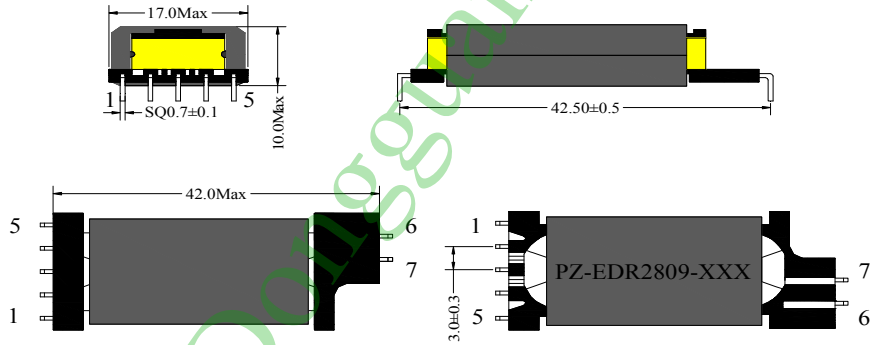
Shape:EDR2809

1 Power:22W

2 Mounting Orientation: Vertical

3 Size: 16 (W) *32(L) * 8.6 (H)

4 Effective Ae (mm²):79



EDR2809 Type 3

Information:

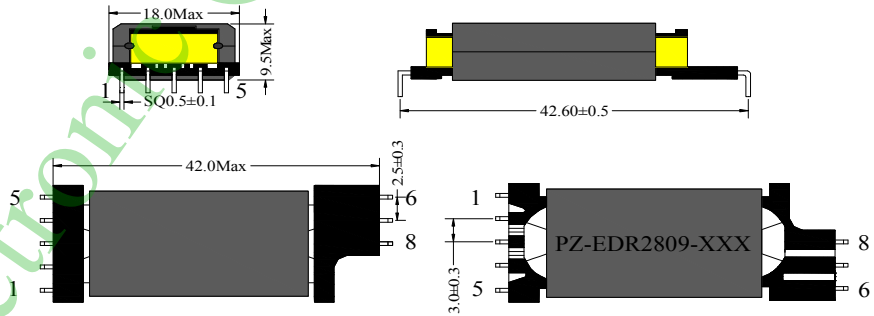
Shape:EDR2809

1 Power:22W

2 Mounting Orientation: Vertical

3 Size: 16 (W) *32(L) * 8.6 (H)

4 Effective Ae (mm²):79



Note:

Core Material: PC40, PC44, PC47, PC95 for customer choice.

EDR series high-frequency transformer features:

Small size, easy installation, low temperature, high efficiency.

Uses:

For T5 / T8 / T10 fluorescent tubes 1.2M built-in power supply